

POHL-CITY

POHL

INTERNATIONAL
BRAINSTORMING

METALL FACADE
AND MORE ...

Contact France

(Lyon) Saint Fons
Phone: +33 - 478 - 70 95 13
E-Mail: cd-pliages@wanadoo.fr

(Paris) Paris

Mobile: +33 - 6 - 33 58 12 88
E-Mail: christophe.poble@yahoo.fr

Contact Spain

(Barcelona) Pineda de Mar
Phone: +34 - 93 - 762 56 84
E-Mail: sales@pohl-spain.com

Pohl Inc. of America (USA)

6161 West Double Eagle Circle
West Valley City Utah 84118
USA
Phone: +1 - 801 - 988 - 1305
Fax: +1 - 801 - 988 - 1310
E-Mail: sales@pohlusa.com
www.pohlusa.com

Christian Pohl GmbH

International Headquarters
Robert-Bosch-Str. 6
50769 Cologne (Germany)
Phone: +49 - 221 - 70911-0
Fax: +49 - 221 - 7089123
E-Mail: info@pohlnet.com
www.pohlnet.com

POHL COMPANY COLOGNE, AIR PHOTOGRAPH



PRODUCTION HALL V



MATERIAL STORAGE



POHL

TRUMATIC II



LASER



WELDING ROBOT



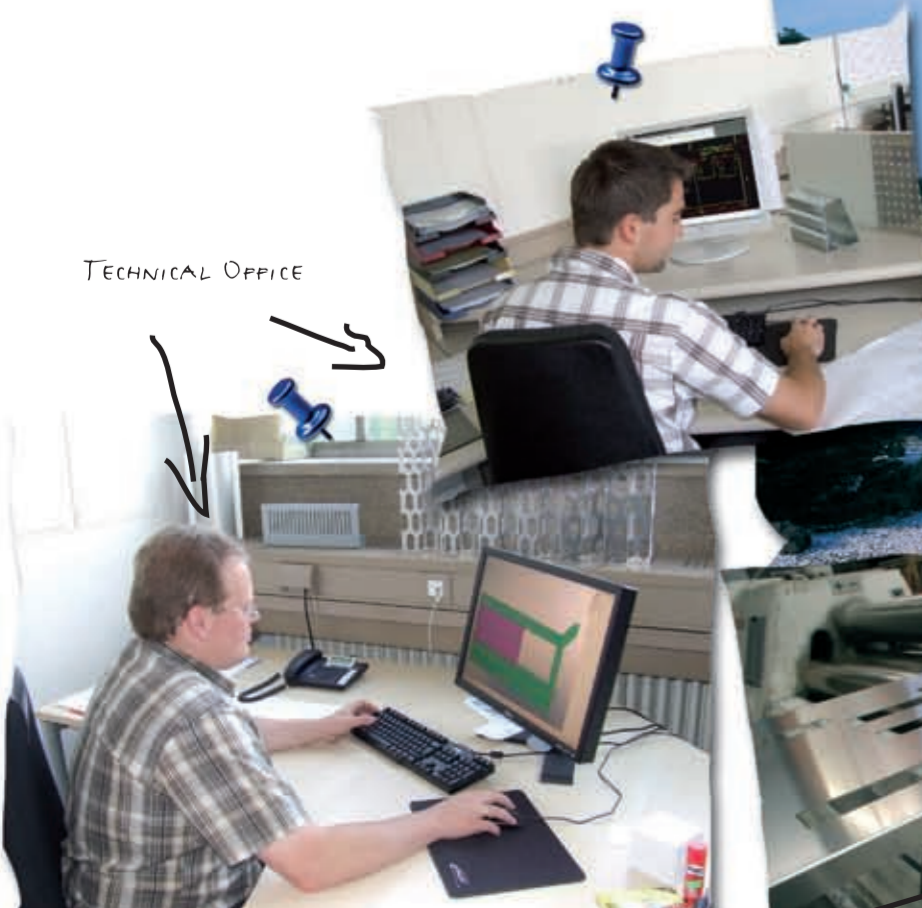
CLOSE UP ON LASER HEADER

POHL INSIDE!

COMPANY, HEADQUARTERS, COLOGNE



TECHNICAL OFFICE



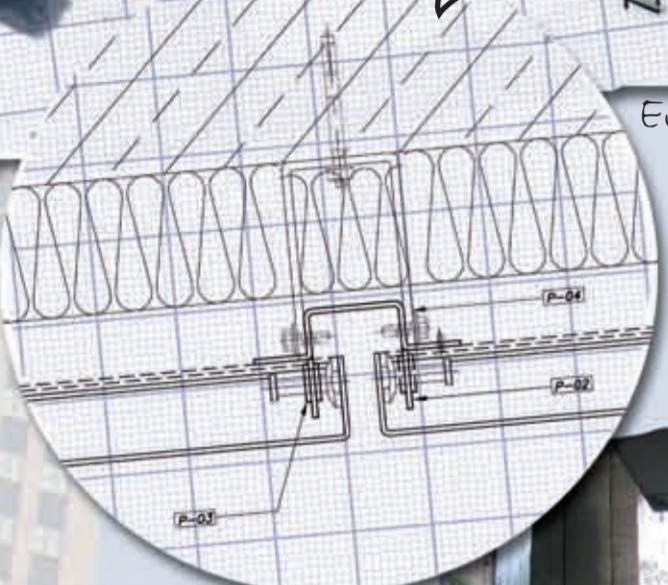
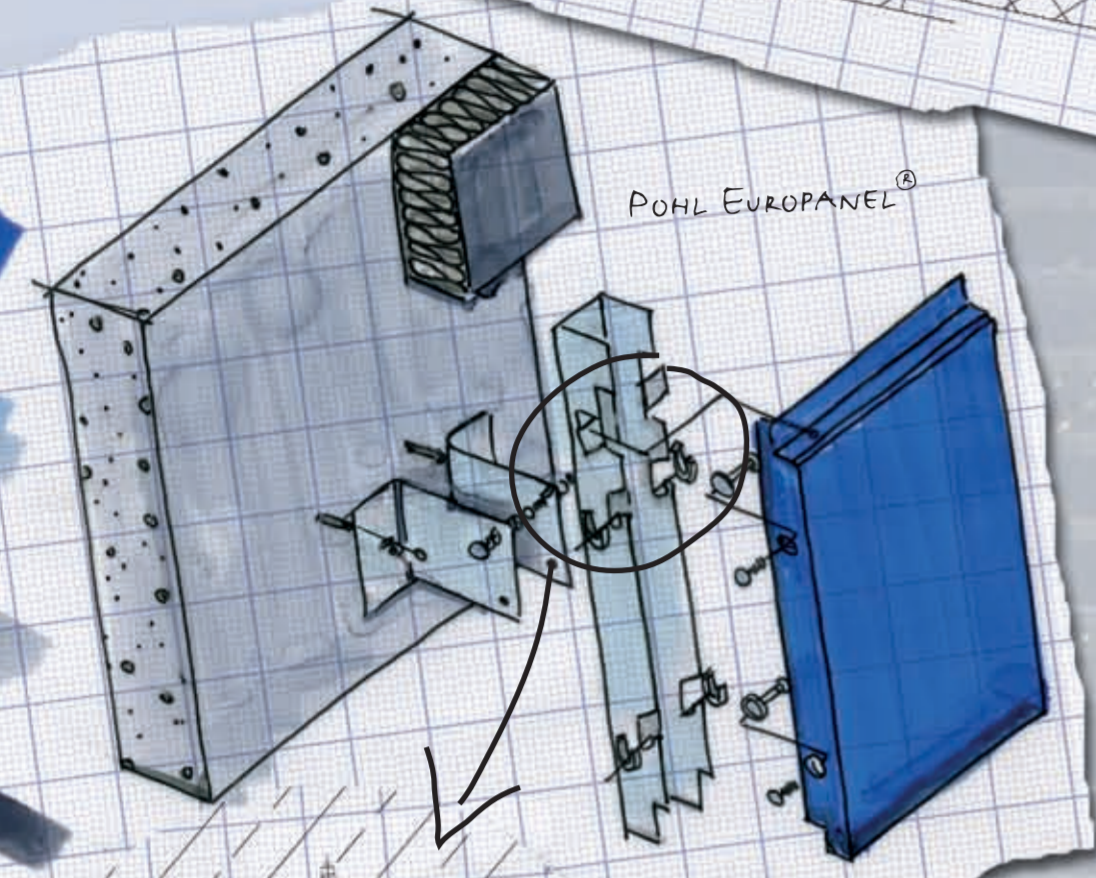
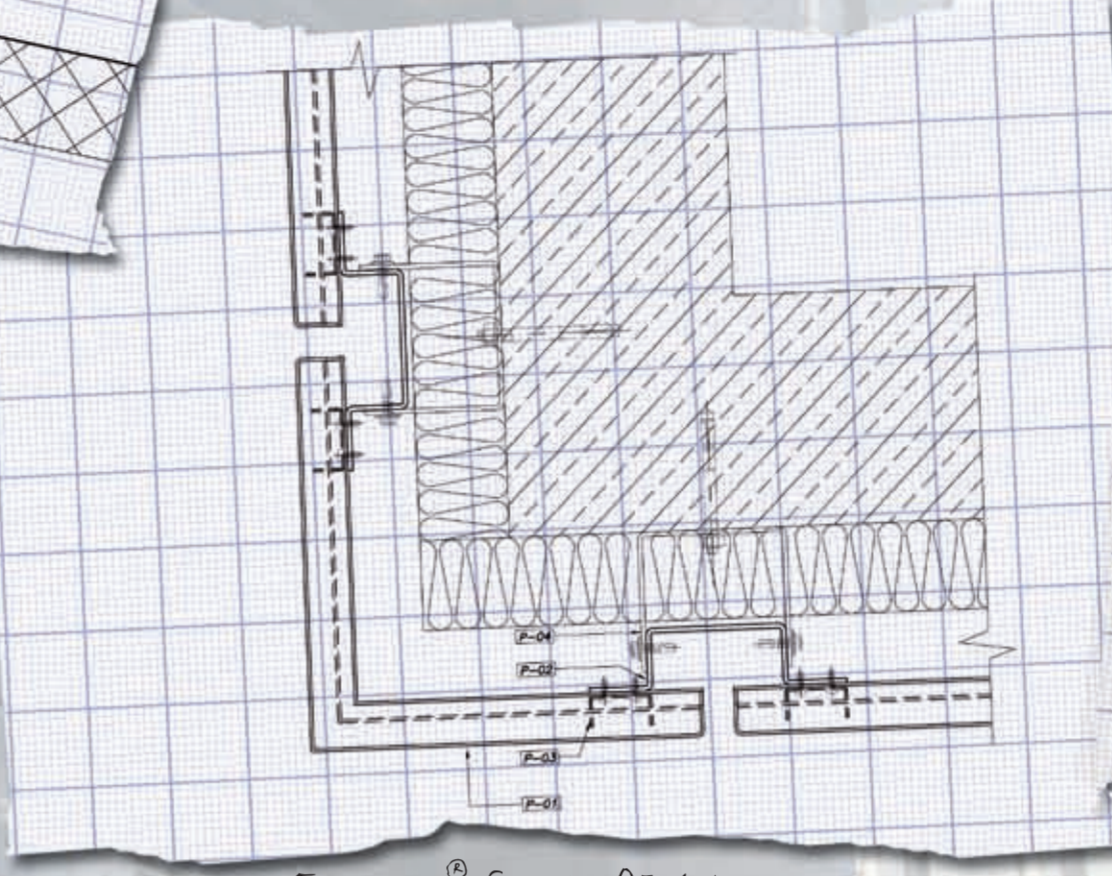
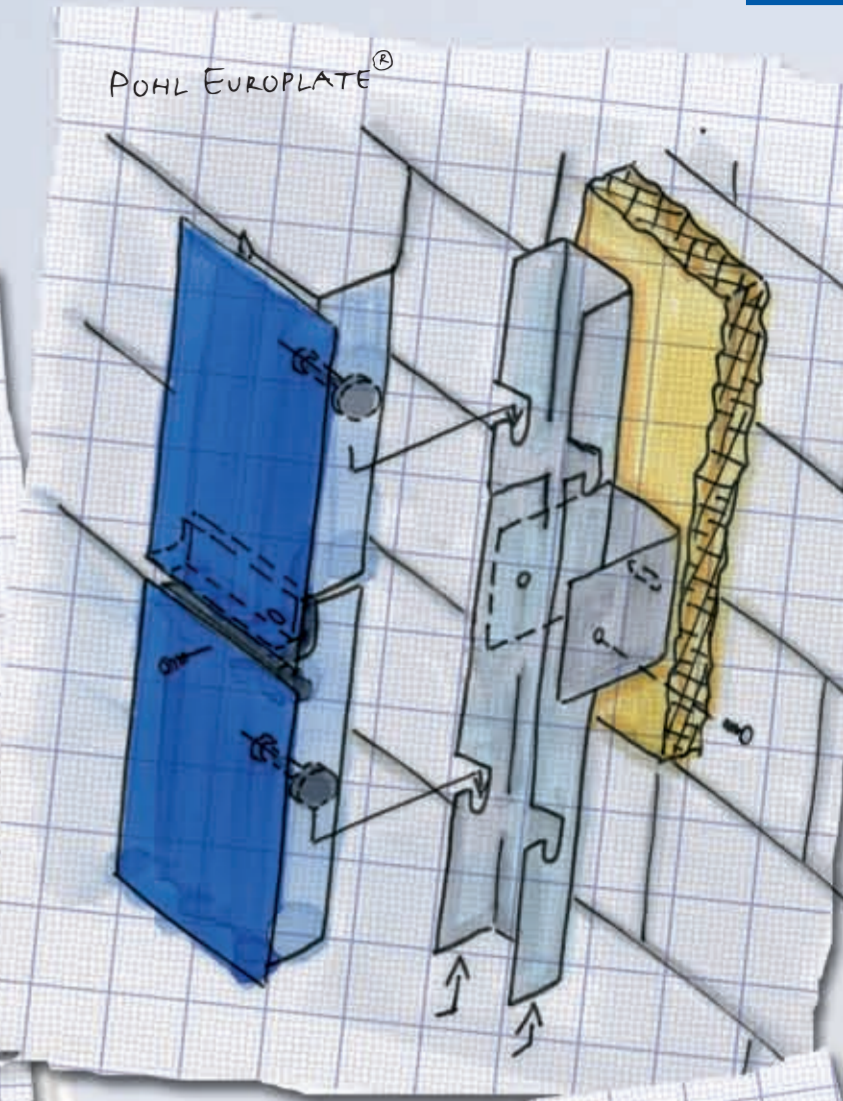
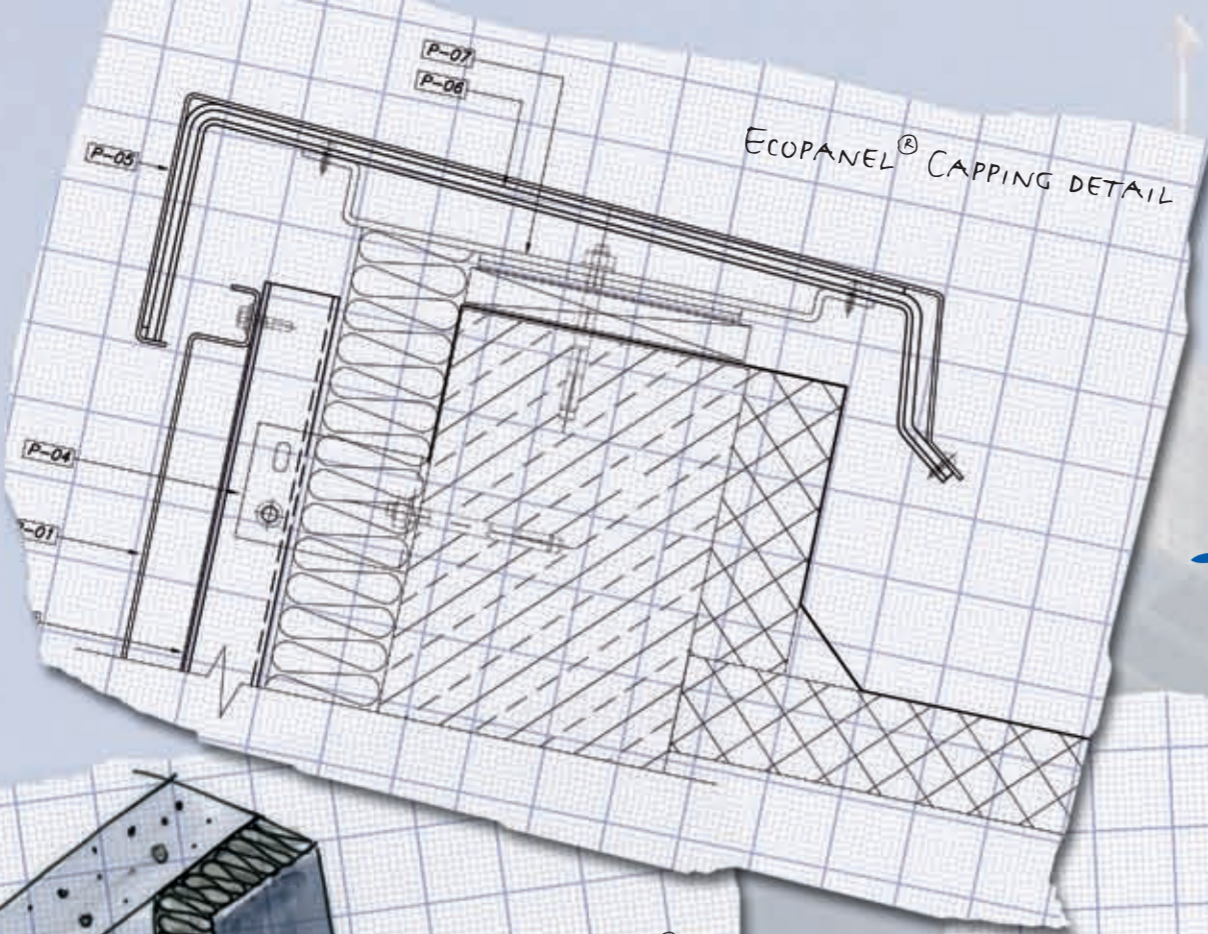
ROLLING MACHINE



BENDING CENTRE



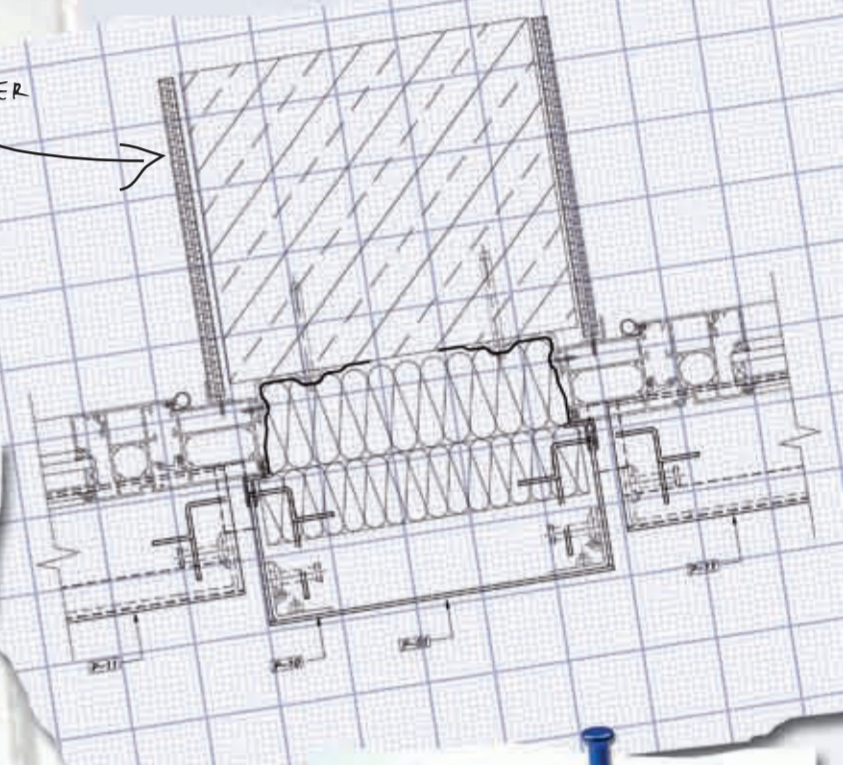
POHL TECHNOLOGY!



POHL-SYSTEMS

- HORIZONTAL & VERTICAL ALIGNMENT
- FREE CHOICE OF MATERIAL
- CURVED CORNER PANEL (EUROANEL®)
- SHARP-EDGED (EUROPLATE®)
- TYPICAL SYSTEM FOR HORIZONTAL MODULATION (ECOPANEL®)
- ADAPTABLE TO ALL STRUCTURAL REQUIREMENTS
- RAINSCREEN PRINCIPLE (INTEGRATED WATER DRAINAGE)

EUROPLATE® COLUMN COVER



EMBOSSED SHEETS



STAINLESS STEEL



THE CENTRE, HONG KONG CA. 14.000 M² STAINLESS STEEL



COLOGNE TRADE FAIR CENTRE, (EXTERIOR); EUROANEL® PERFORATED NOISE PROTECTION PANEL (INTERIOR AREAS)

POHL OUTSIDE! WORLD WIDE!

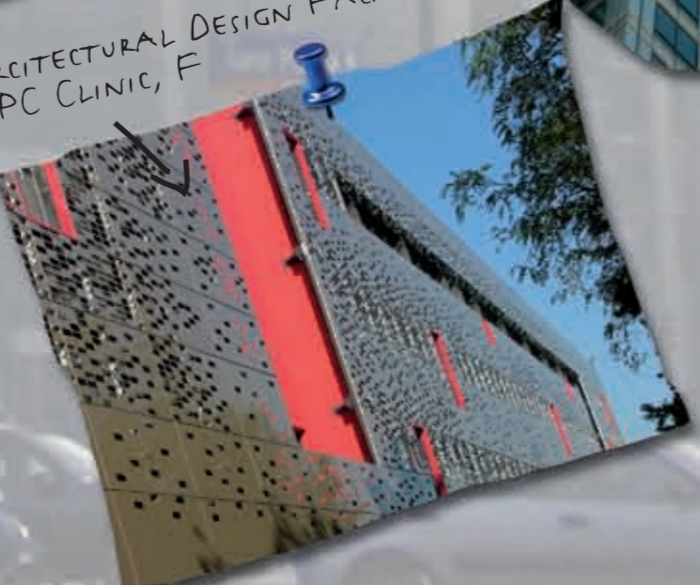
BROOKLYN MUSEUM, ALUMINIUM



PLAZA TOWER, COSTA MESA CA. USA CA. 13000 M² STAINLESS STEEL



ARCHITECTURAL DESIGN FACADE, UPC CLINIC, F



EUROANEL® FOR COR-TEN STEEL AND ALUMINIUM CLADDING, GER

